

DE TWISTER

BALLON SQUEEZING

A

B

C

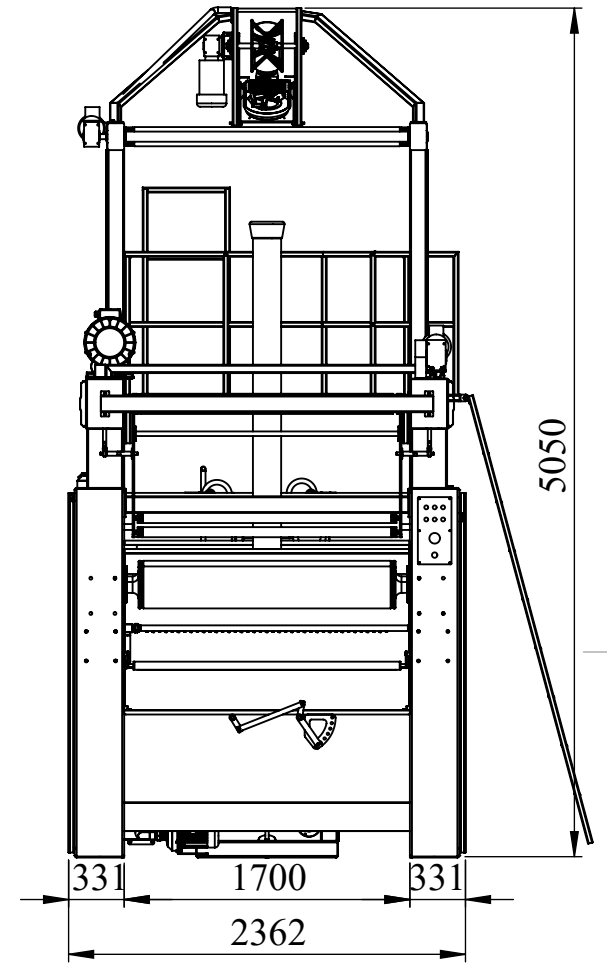
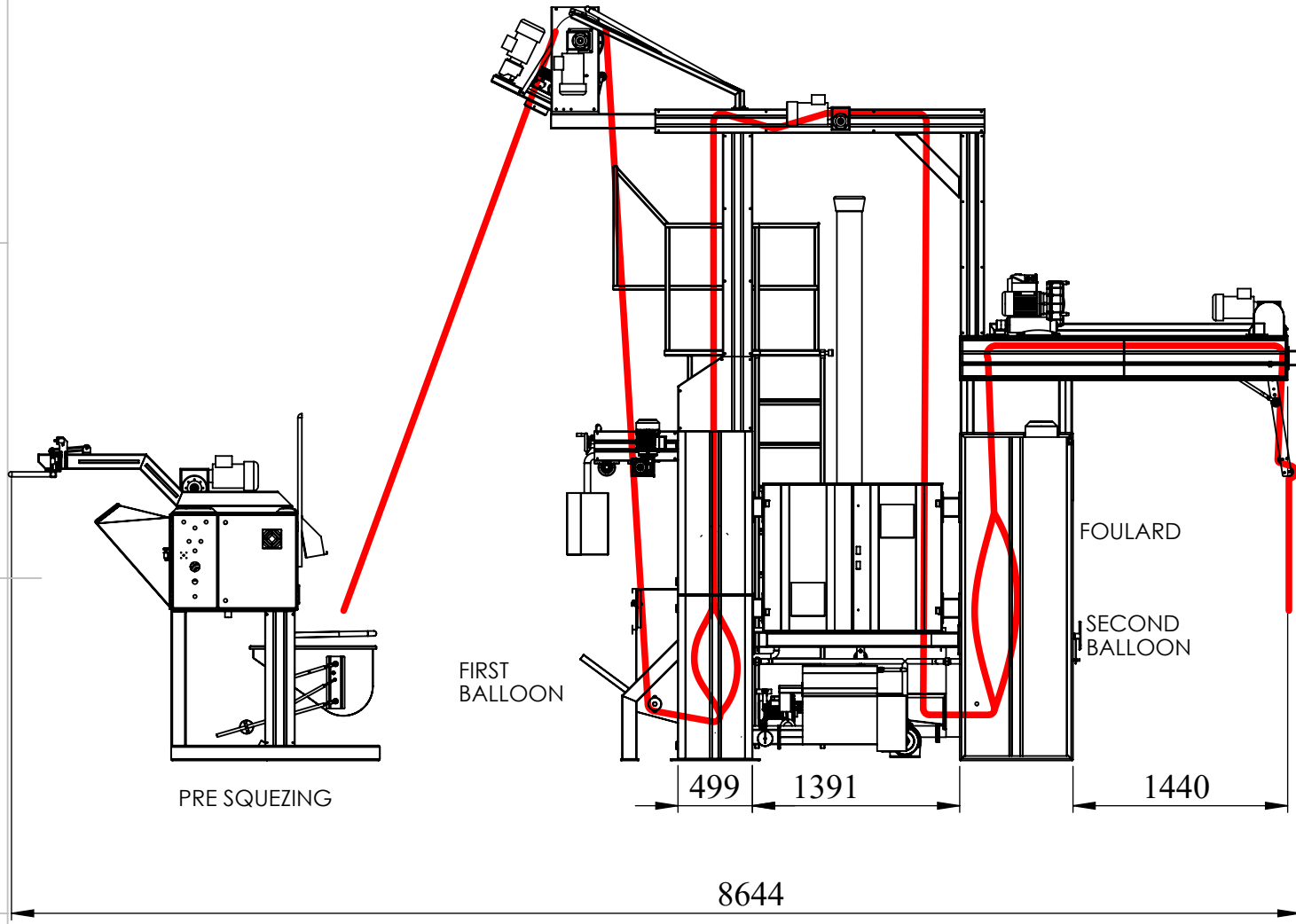
D

A


B

C

D

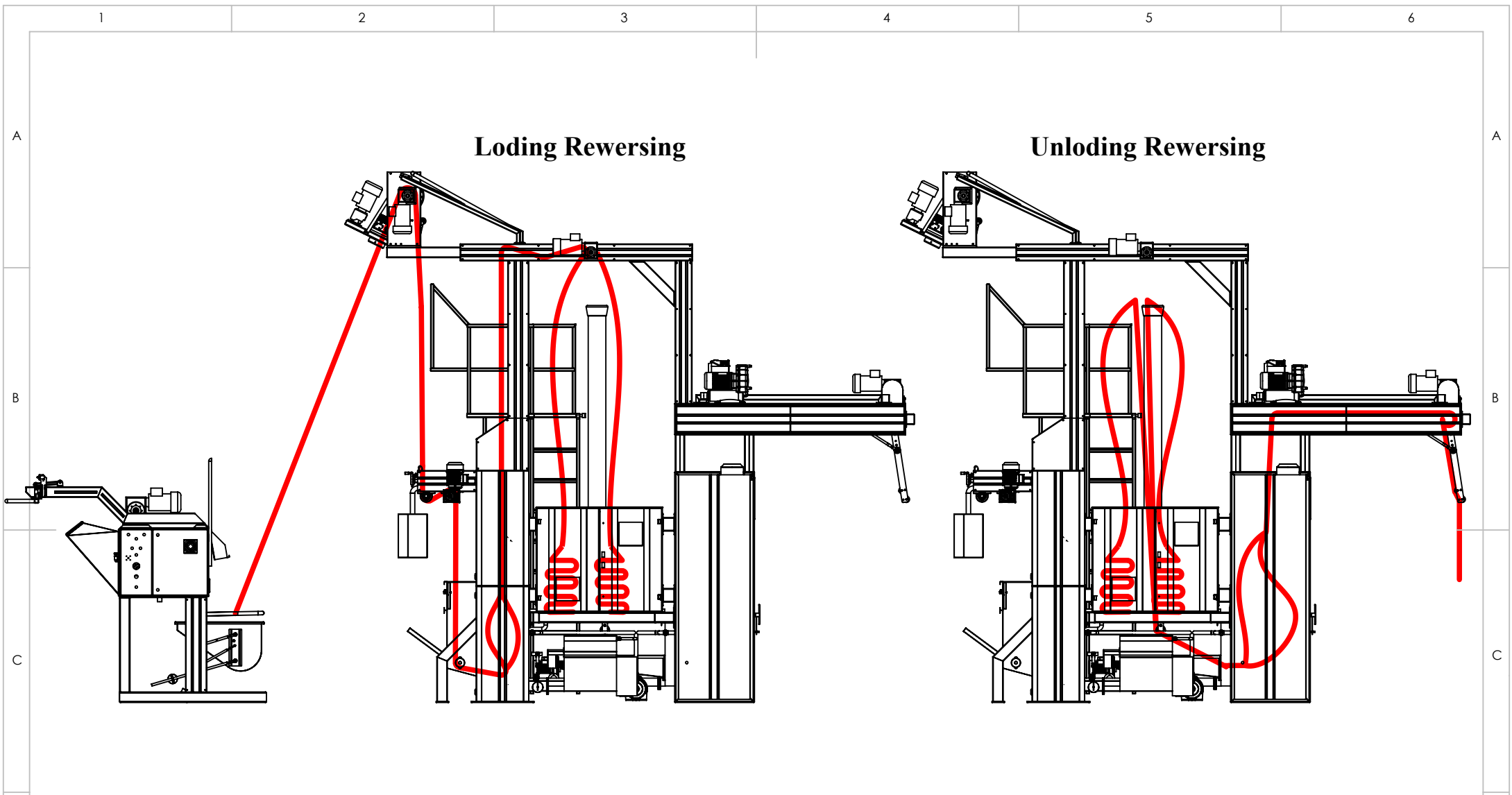


	DATE	NAME SURNAME	SIGN
DRAWN BY	20.05.2022	ISMAIL KUVANCI	
CONTROL	20.05.2022	ISMAIL KUVANCI	
APP.	20.05.2022	VURAL CAKICI	
BALLOON SQUEEZING MACHINE WITH REWERSING			

MATERIAL	AISI 304
QAN.	1 MACHINE
	
VORTEX GLOBAL MAKINA	
SCALE	
PIC. NR	

1 2 3 4 5 6


1 2



Loding Rewersing

Unloding Rewersing

	DATE	NAME SURNAME	SIGN
DRAWN BY	20.05.2022	ISMAIL KUVANCI	
CONTROL	20.05.2022	ISMAIL KUVANCI	
APP.	20.05.2022	VURAL CAKICI	
LOADING AND REWERSING			

MATERIAL	AISI 304
QAN.	
 VORTEX GLOBAL MAKİNA	
SCALE	
PIC. NR.	